



SOT-23 Plastic-Encapsulate MOSFETS

MK2312

N-Channel 20-V(D-S) MOSFET

V(BR)DSS	RDS(on)MAX	ID
20	30 @4.5	5A
	36 @2.5	
	46 @1.8	

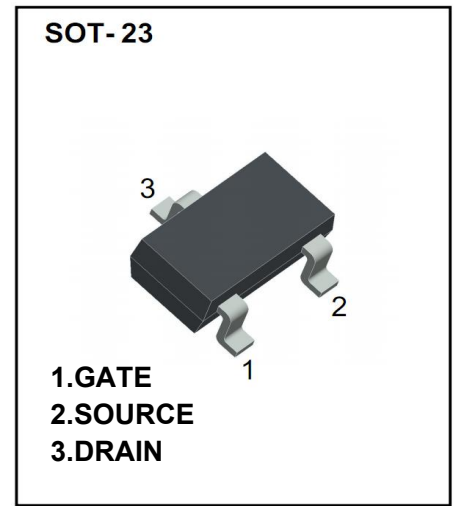
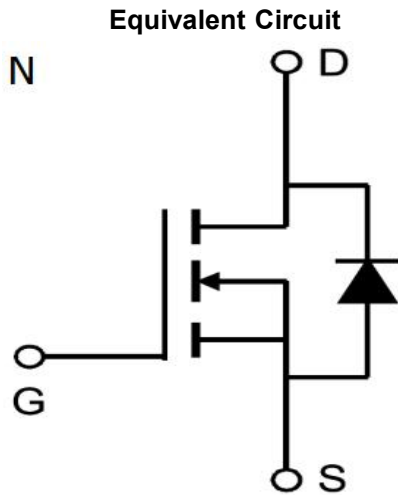
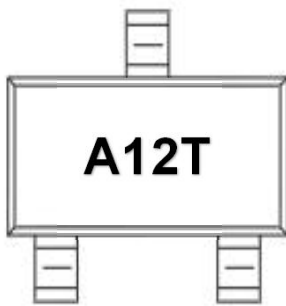
FEATURE

※ FE FE

APPLICATION

※ DC/DC C D

MARKING



Maximum ratings (Ta=25°C unless otherwise noted)

Parameter	Symbol	Value	Unit
D -	D	20	
G -	G	8	
C D C	D	5	A
D C	D	20	
C -D C (D C)		1.04	
D	D	0.75	
A (5)	A	357	°C/
		150	°C
	G	-55 +150	°C



MOSFET ELECTRICAL CHARACTERISTICS

Static Electrical Characteristics (Ta = 25 °C Unless Otherwise Noted)

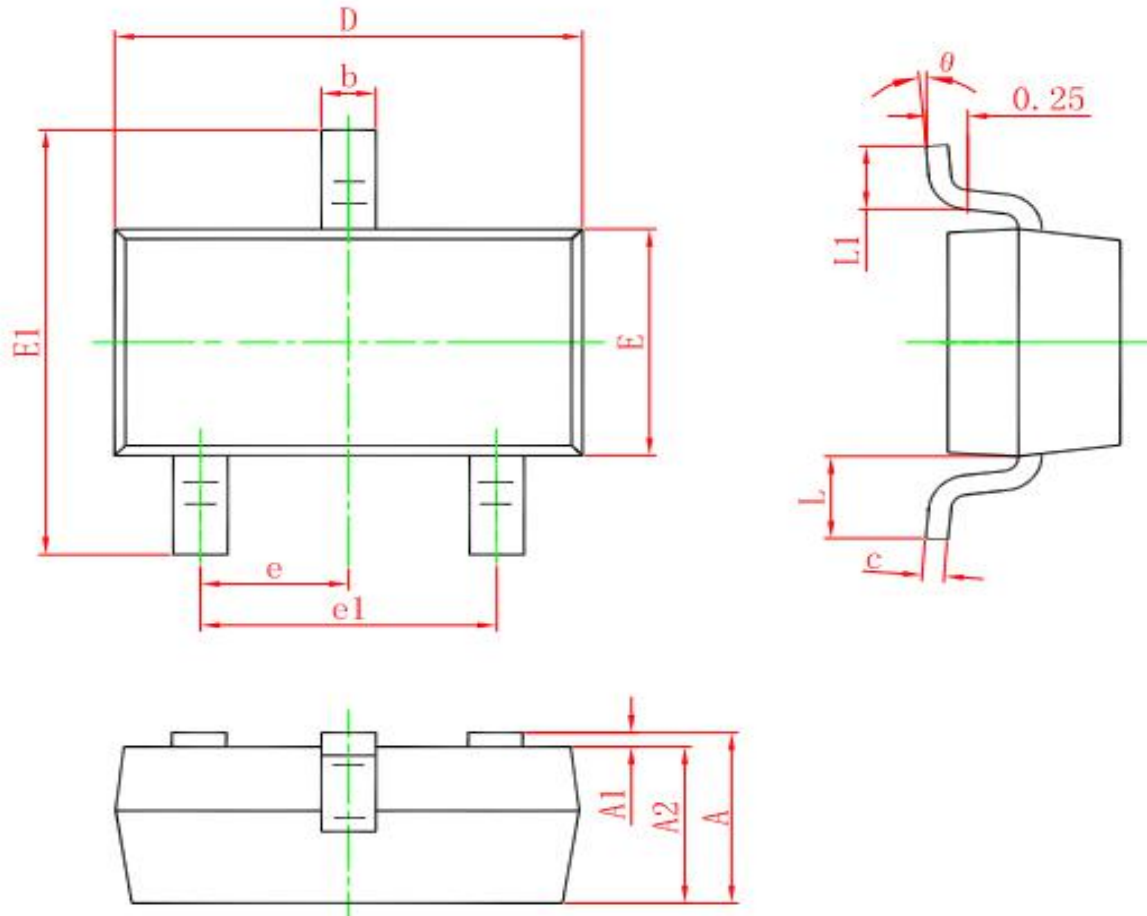
Parameter	Symbol	Test Condition	Min	Typ	Max	Unit
Static						
D -	(B)D	G = 0 , D = 250 A	20			
G -	G ()	D = G , D = 250 A	0.4		1	
G -	G	D = 0 , G = 8			100	A
	D	D = 20 , G = 0			1	A
D - -	D ()	G = 4.5 , D = 1A		18	30	
		G = 2.5 , D = 1A		23	36	
		G = 1.8 , D = 1A		28	46	
F		D = 4.5 , D = 5A		6		
D	D	=1A, G = 0		0.7	1.5	
Dynamic						
	C	D = 10 , G = 0 , =1 H		865		F
	C			105		F
	C			55		F
		D = 10 , G = 4.5 , D = 5A		6	4.5	C
G -				1		C
G -				1.3		C
G		=1 H		3		
Switchingb						
-	()	DD= 10 =10 , D 1A, GE = 4.5 , =6		7	15	
				15	20	
-	()			15	32	
F				10	20	
Drain-source body diode characteristics						
C	-D D C		=25°C		1.2	A
	D C				20	A

Note :

1. :
2. F 4 B , < 5 .
3. : 300 , D C 2%.
4. G , .



SOT-23 PACKAGE OUTLINE DIMENSIONS



Symbol	Dimensions In Millimeters		Dimensions In Inches	
	Min.	Max.	Min.	Max.
A	0.900	1.150	0.035	0.045
A1	0.000	0.100	0.000	0.004
A2	0.900	1.050	0.035	0.041
b	0.300	0.500	0.012	0.020
c	0.080	0.150	0.003	0.006
D	2.800	3.000	0.110	0.118
E	1.200	1.400	0.047	0.055
E1	2.250	2.550	0.089	0.100
e	0.950 TYP.		0.037 TYP.	
e1	1.800	2.000	0.071	0.079
L	0.550 REF.		0.022 REF.	
L1	0.300	0.500	0.012	0.020
θ	0°	8°	0°	8°



TYPICAL ELECTRICAL AND THERMAL CHARACTERISTICS

