



MK78M06 Three-terminal positive voltage regulator

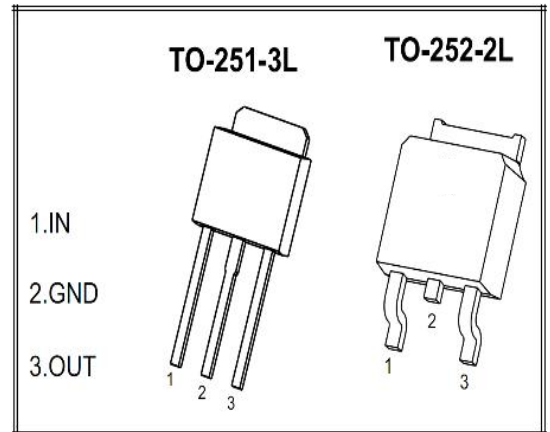
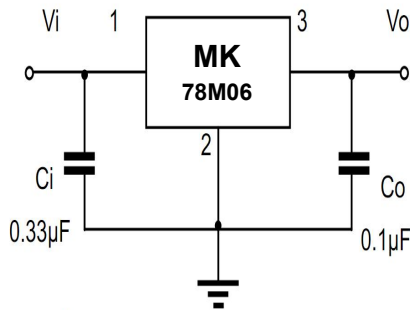
FEATURES:

- ※ Maximum output current
IOM: 1A
- ※ Output voltage
VO: 6V
- ※ Continuous total dissipation
PD: 1.25W

MARKING:

MK 78M06 MKD / U ****
 MK logo (D 252) / (U 251) **** Date

TYPICAL APPLICATION:



Absolute Maximum ratings (Operating temperature range applies unless otherwise specified)

Parameter	Symbol	Value	Unit
Input Voltage	Vi	35	V
Thermal Resistance From Junction to air	RθJA	80	°C/W
Operating Junction Temperature Range	TOPR	-25~+125	°C
Storage Temperature Range	TSTG	-55~+150	°C

Electrical Characteristics At Specified Virtual Junction Temperature
 (Vi=11V, Io=350mA, Ci=0.33µF, Co=0.1µF. Unless Otherwise Specified)

Parameter	Symbol	Conditions	25°C	-25~+125°C	Unit
Output voltage	VO	25°C	5.75	6	6.25 V
		8V Vi 21V, Io=5mA-350mA	5.7	6	6.3 V
Load Regulation	ΔVO	Io=5mA-0.5A, Vi=11V	18	120	mV
		Io=5mA-200mA, Vi=11V	10	60	mV
Line Regulation	ΔVO	8V Vi 25V, Io=200mA	5	100	mV
		9V Vi 25V, Io=200mA	1.5	50	mV
Quiescent Current	Iq	25°C	4.3	6	mA
Quiescent Current Change	ΔIq	9V Vi 25V, Io=200mA	0.8		mA
		5mA Io 350mA	0.5		mA
Output Noise Voltage	VN	10Hz f 100KHz	45	200	V/Vo
Ripple Rejection	Rr	9V Vi 19V, f=120Hz, Io=300mA	59	80	dB
Dropout Voltage	Vd	Io=350mA	2	2.5	V
Short Circuit Current	Isc	Vi=11V	300		mA
Peak Current	IPK	25°C	0.5		A

Note :

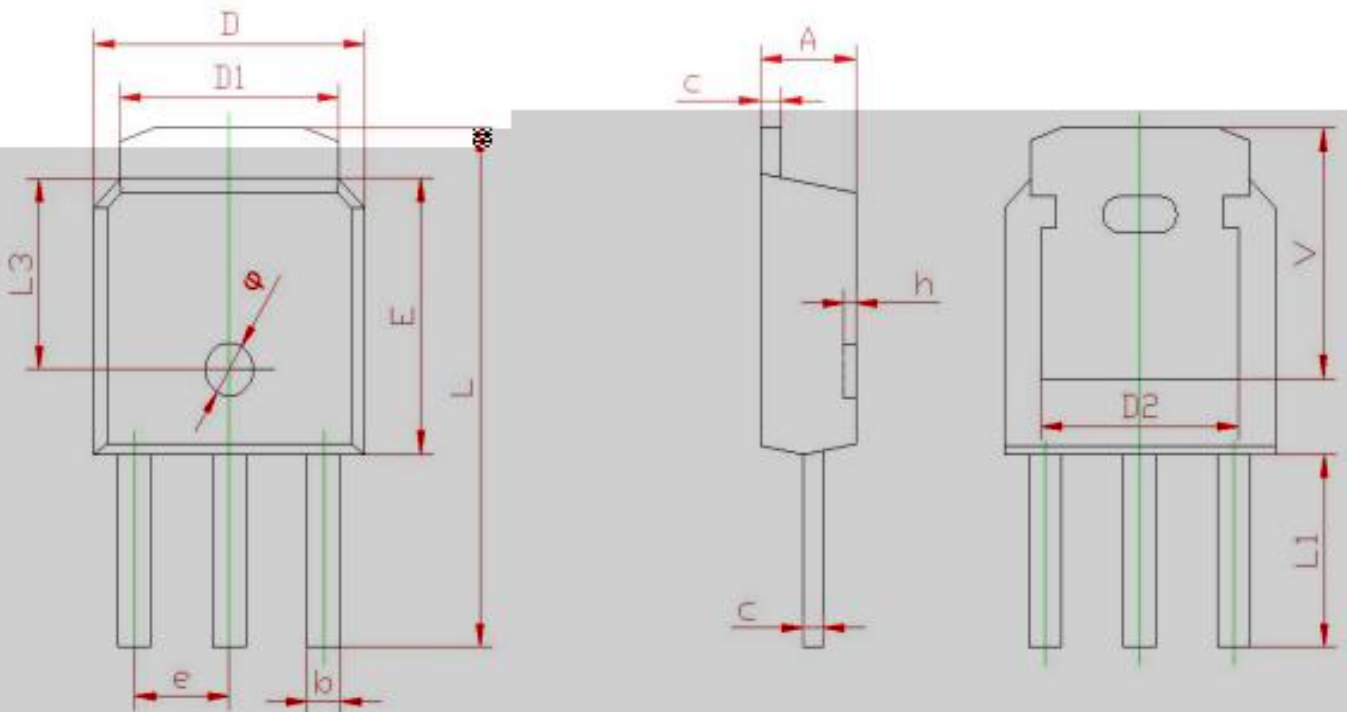
Bypass Capacitors are Recommended For Optimum Stability and Transient Response
 and Should be located as Close as Possible to the Regulators

Package g



Package Dimensions:

TO-251 PACKAGE OUTLINE DIMENSIONS



Symbol	Dimensions In Millimeters		Dimensions In Inches	
	Min.	Max.	Min.	Max.
A	2.200	2.400	0.087	0.094
A1	0.000	0.127	0.000	0.005
b	0.660	0.860	0.026	0.034
c	0.460	0.580	0.018	0.023
D	6.500	6.700	0.256	0.264

D1	5.100	5.460	0.201	0.215
D2	4.800 REF		0.189 REF	
F	6.000	6.200	0.236	0.244
e	2.186	2.386	0.086	0.094
L	9.800	10.400	0.386	0.409
L1	4.300 REF		0.170 REF	
L3	4.00 REF		0.16 REF	
L4	0.600	1.000	0.024	0.039
h	0.000	0.300	0.000	0.012
V	5.500 REF		0.217 REF	