



**MK78M05** Three-terminal positive voltage regulator

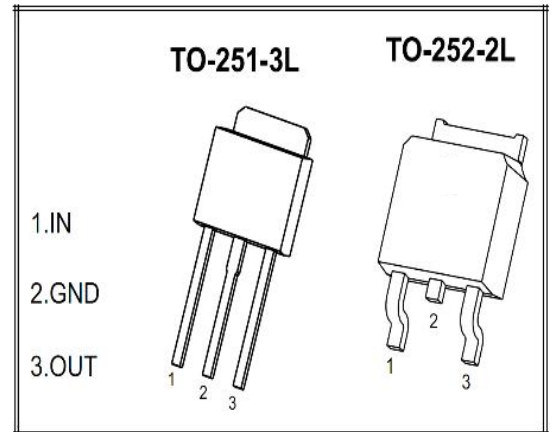
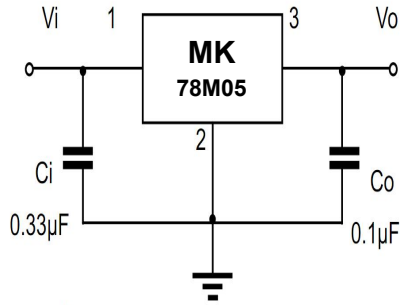
**FEATURES:**

- ※ IOM: 1A
- ※ VO: 5V
- ※ PD: 1.25W

**MARKING:**

MK 78M05 MKD / U \*\*\*\*

**TYPICAL APPLICATION:**



**Absolute Maximum ratings (Operating temperature range applies unless otherwise specified)**

Parameter	Symbol	Value	Unit
	Vi		
	R JA		°C
	TOPR		°C
	TSTG		°C

**Electrical Characteristics At Specified Virtual Junction Temperature (Vi=10V, Io=350mA, Ci=0.33 F, Co=0.1 F. Unless Otherwise Specified)**

	VO		°C				
	VO		°C				
	VO		°C				
	VO		°C				
	Iq		°C				
	Iq						
	Iq						
	VN		°C				
	Rr						
	Vd		°C				
	Isc		°C				
	IPK		°C				



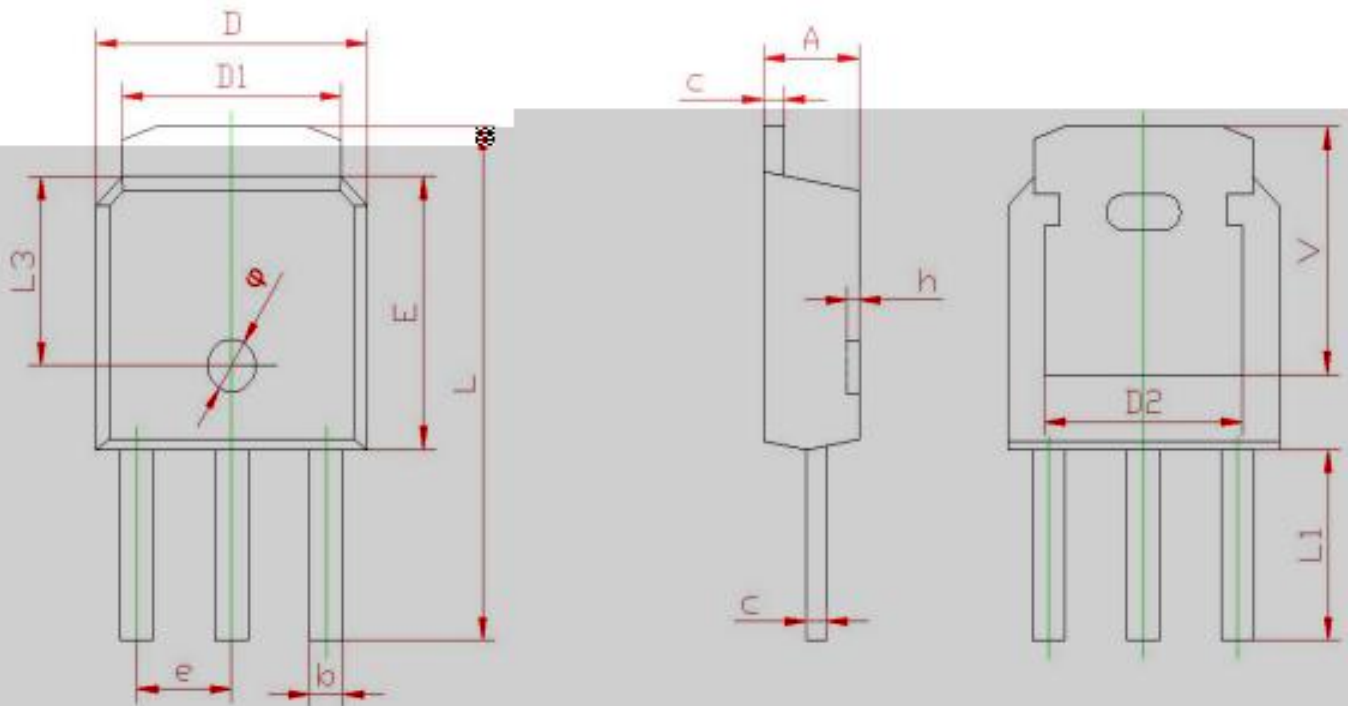
Package Dimensions:





Package Dimensions:

**TO-251 PACKAGE OUTLINE DIMENSIONS**



Symbol	Dimensions In Millimeters		Dimensions In Inches	
	Min.	Max.	Min.	Max.
A	2.200	2.400	0.087	0.094
A1	0.000	0.127	0.000	0.005
b	0.660	0.860	0.026	0.034
c	0.460	0.580	0.018	0.023
D	6.500	6.700	0.256	0.264

D1	5.100	5.460	0.201	0.215
D2	4.800 REF		0.189 REF	
e	2.186	2.386	0.086	0.094
L	9.800	10.400	0.386	0.409
L1	4.300 REF		0.170 REF	
L3	4.00 REF		0.16 REF	
L4	0.600	1.000	0.024	0.039
h	0.000	0.300	0.000	0.012
V	5.500 REF		0.217 REF	